

XM SkyDock™

Quick Start Guide



CAUTION! Do not attempt to install, activate or adjust any of the setting options described in this guide unless your vehicle is parked in a safe location.

SIRIUS  | **((XM))**
S A T E L L I T E R A D I O

1 Download the App

The Free XM SkyDock App is Ready for Launch!

In no time, you'll be able to enjoy commercial-free music, plus live sports, news, talk and entertainment. First, you'll need to install the free XM SkyDock App.



There are two ways to install the free XM SkyDock App:

- Using your iPod touch® or iPhone™, you can install the XM SkyDock App directly from the App Store. You must have WiFi or, if using an iPhone, 3G coverage.
- Using your computer, you can install the XM SkyDock App directly from the App Store in iTunes®. You will then need to synchronize your iPod touch or iPhone with iTunes to complete the installation.

Once you have successfully installed the XM SkyDock App the Home Screen will display the XM SkyDock App icon.

MADE FOR: iPod touch (1st generation),
iPod touch (2nd generation)
WORKS WITH: iPhone, iPhone 3G, iPhone 3GS
All models require iPhone OS 3.0 or later



2 Install the Magnetic Mount Antenna

Mount the Magnetic Mount Antenna



Choose the best location for the Magnetic Mount Antenna considering your vehicle type. Refer to the Antenna Mounting Instructions in the User Guide beginning on page 15.

- **Sedan or Coupe:** We recommend mounting the Magnetic Mount Antenna just above the front windshield.
- **SUV or Pickup Truck:** We recommend mounting the Magnetic Mount Antenna just above the front windshield.
- **Convertible:** If it is not possible to mount the antenna above the front windshield, we recommend mounting the antenna to the hood of the vehicle near the passenger side. Consult an installation professional for other mounting options.

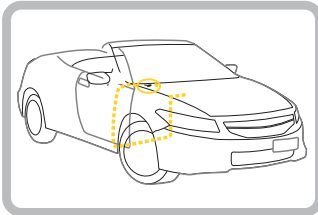
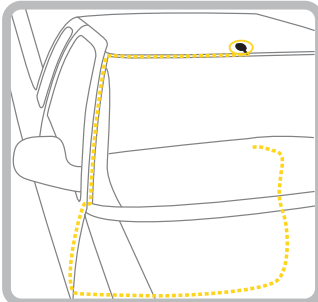
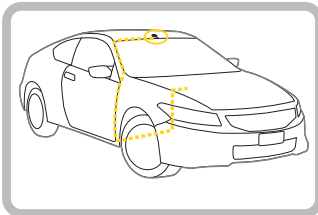


CAUTION! STOP and read the more specific instructions in the User Guide for all types of vehicles – or get someone who knows vehicles to help. If you don't understand what to do, you might accidentally damage your vehicle.

Feed the Magnetic Mount Antenna wire under the rubber molding around the front windshield and into the seal around the door. A plastic putty knife or credit card can help position the cable.



TIP! A dry vehicle is nice. Avoid damaging or compromising the window, door, and trunk seals.



Hide the Magnetic Mount Antenna Cable Inside the Vehicle

The best place to hide your antenna cable depends on your type of vehicle.

When the Magnetic Mount Antenna is mounted at the front of the vehicle, bring the cable into the rubber weather stripping around the door to the bottom of the door opening. Bring the cable out of the weather stripping and route it under the carpet toward the dashboard.

If you are mounting to the hood, be sure to carefully inspect the desired location and make sure that the antenna or cable will not interfere with the hood opening or closing. Try and route the cable through the fender seam into the door seal area and then into the vehicle, being careful not to pinch the cable in the door hinge. Consult a professional installer if you have any difficulty or concerns with this type of installation.

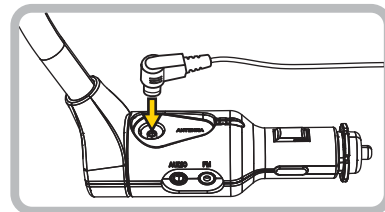
Coil any excess cable in a hidden location, such as under the carpet, keeping it away from any vehicle pedals or controls. Secure the excess cable with wire ties.

Make the Connection

Plug the Magnetic Mount Antenna into the ANTENNA connection on the XM SkyDock.



CAUTION! Only use the included Magnetic Mount Antenna with your XM SkyDock. Replacement or additional XM SkyDock Magnetic Mount Antenna can be purchased at shop.xmradio.com



3 Install the XM SkyDock

Selecting the Right Spacer

Install the correct adapter to ensure the best fit.

- **Spacer 1:** For iPhone with case.
- **Spacer 2:** For iPhone without case;
- for iPod touch with compatible case.
- **Spacer 3:** For iPod touch without case.

Replacing the Spacers

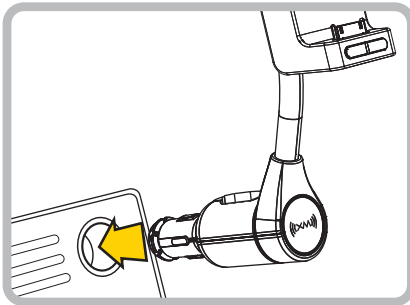
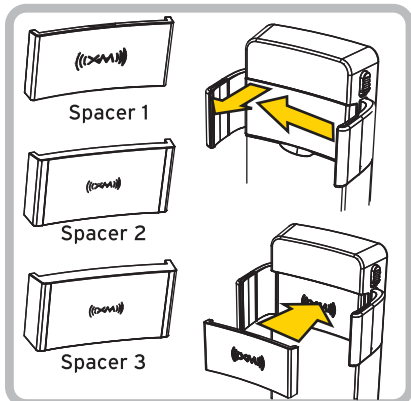
- 1 Use one finger to apply sliding pressure on the Spacer towards one of the Side Grip arms.
- 2 Using another finger, pry up under the edge of the Spacer to release it.
- 3 Snap on the new spacer.



Note: the XM SkyDock will not accommodate all case types (see page 18 in the users guide for details).

Plug and Play

The XM SkyDock mounts into your vehicle's cigarette lighter or power adapter socket. If your vehicle has more than one cigarette lighter socket, be sure to choose one that doesn't interfere with the driver's vision or access to driving controls, doesn't interfere with the deployment of airbags or other safety equipment, and makes the iPod touch or iPhone easily accessible for operation.



4 Insert and Adjust

Inserting your iPod touch or iPhone


Insert the bottom of your iPod touch or iPhone straight down onto the connector, making sure that the connection is solid. Gently squeeze the side grips against the iPhone to secure it. Squeeze towards the rear of both side grips.

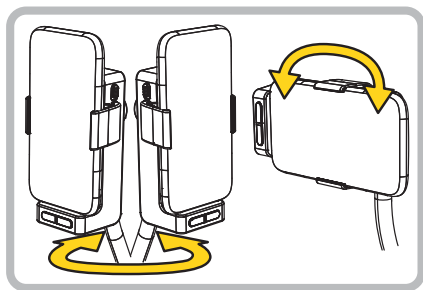
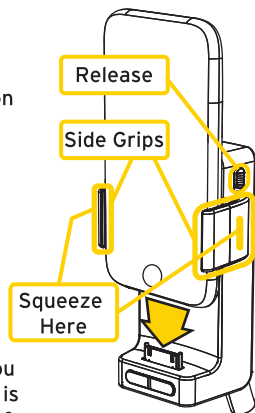
To remove, slide the Side Grip Release Lever DOWN to spread the grips apart. Then lift your iPod touch or iPhone off the connector and pull it straight up and out of the XM SkyDock.

Adjusting the Position of your XM SkyDock

The XM SkyDock's flexible stalk and rotating dock gives you lots of freedom to position your iPod touch or iPhone so it is convenient for you to use. You can twist the stalk up to 90° in either direction and bend it to be clear of controls or other items.

You can rotate the XM SkyDock up to 100° in either direction so that the XM SkyDock App will automatically orient the screen image to match the XM SkyDock's orientation.

 **CAUTION:** Do not over-rotate. Doing so could cause damage to your XM SkyDock.



5 Activate

Activate your Service

The XM SkyDock App has a built-in activation wizard that will walk you through the activation process step by step.

- 1 Park your vehicle in a location with an unobstructed view to the sky. Launch the XM SkyDock App.
- 2 If this is the first time activating your XM SkyDock, follow the on-screen instructions.
- 3 Make a note of your Radio ID which is displayed on the set up screen, on Channel 0, or in the My Account screen in the set up menu. In addition it can be found on the Radio ID sticker on the back of your XM SkyDock.

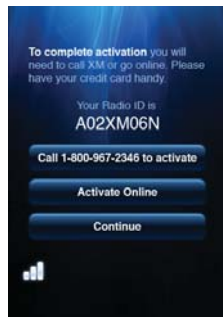
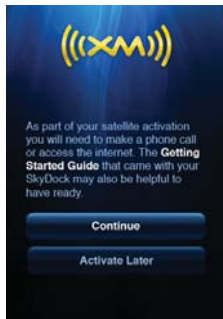


NOTE: The Radio ID does not use the letters I, O, S, or F.

4 Activating the service

- Online: go to www.xmradio.com and click on the "activate radio" link in the top right corner.
- OR**
- By Phone: Call 1-800-XM-RADIO (1-800-967-2346).
- OR**
- If using an iPhone you can tap directly on the Call to Activate or Activate On-line buttons on the screen.

- 5 Activation usually takes 10 to 15 minutes, but may take up to an hour. We recommend that your XM SkyDock remain ON until activated. You should now proceed to Step 6 (Connect the Audio to your Stereo). Once the activation signal is received, you can tap the XM Categories to tune to your subscribed channels.



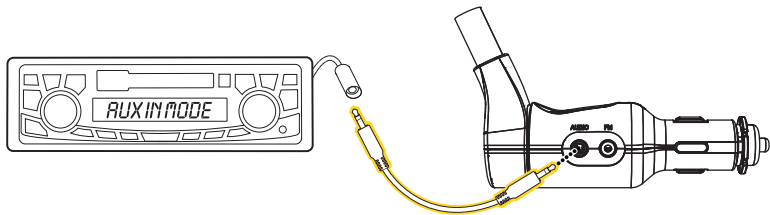
6 Connect the Audio to Your Stereo

Decide how to Connect

- **Best Performance:** Use the included **Aux In Cable** if your vehicle's stereo system has an auxiliary input connection (may be labeled Aux In, Audio In or similar). Plug one end of the Aux In Cable into the **AUDIO** connector on the XM SkyDock, and the other end into the auxiliary input connection on the vehicle's stereo system. Refer to your vehicle's owners manual to find the location of the auxiliary input, or consult the vehicle dealer.

Audio Quality	GOOD	BETTER	BEST
Aux In Cable	★		
FM Direct Adapter (FMDA)*	★		
Cassette Adapter	★		
PowerConnect™	★		

* Professional Installation Recommended



- **Good Performance:** Use the **PowerConnect** feature in the XM SkyDock. PowerConnect plays the audio through your vehicle's FM radio. When you have completed Step 5 (Activation), you'll first need to find an available FM channel in your area, and then you need to ensure that the XM SkyDock and your vehicle's FM radio are tuned to the same available FM channel.



NOTE: If your vehicle does not have an auxiliary input or the PowerConnect is not performing well in your area, you can use either a Cassette Adapter or FM Direct Adapter (both sold separately shop.xmradio.com) - See page 23 of the User Guide for more information.

7 PowerConnect Setup

Setting up PowerConnect

- 1 Tune through your vehicle's radio FM channels to find an FM channel (between 88.1MHz and 107.9MHz) that is not broadcasting in your area (a channel with lots of static). For details on how to find available FM channels in your area, check out the FM Channel Finder at xmradio.com/fmchannel or see page 80 of the User Guide.
- 2 Launch the XM SkyDock App, then tap the Settings button.
- 3 Tap the FM Settings listing.
- 4 The first preset (factory-set to 88.1MHz) will be highlighted. If this is not the best channel press and hold the 88.1 preset button for 2 seconds. The FM Settings screen will change to the Edit Mode.
- 5 Tap the Edit button beneath the preset. The Set FM Preset Channel screen appears.
- 6 Tap the arrow buttons to select the FM frequency that matches the channel that you preset on your vehicle radio to in Step 1.
- 7 Tap the Back button to return to the FM Settings screen with the new FM preset frequency stored. To exit, tap the Home button.



FM Settings Screen



Edit Options



8 Navigating the App

Channel Number (A) 30

Artist Name Black Eyed Peas

Song Title Let's Get It Started

Channel Logo POP2K (F)

Channel Preview (B) Swipe left or right here to see what is playing on your favorite channels

Show Favorites (B)

Tag This (E)

Home (C)

Categories (C)

Tagged (D)

Settings (E)

Traffic & Weather (C) Tunes to your favorite XM Traffic/Weather channel

Settings (E) Set up options for your XM SkyDock

CAUTION: Do not attempt to make Setting adjustments or manage your Tagged Songs while driving



Direct Tune Keypad
Enter your desired channel number



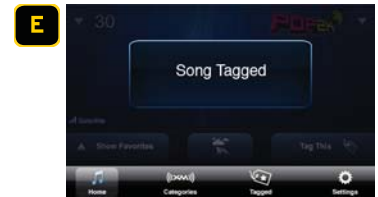
Favorite Channels
Store up to 12 of your favorite channels for easy access



Category List
Quickly navigate to any category



Tagged Song List
Set alerts or purchase songs from iTunes



Tag This
Adds the song to your Tagged Song List



Channel List
Tune channels within any category



xmradio.com

**SIRIUS XM Radio
1221 Avenue of the Americas
New York, NY 10020**

1.800.967.2346

©2009 SIRIUS XM Radio Inc. SIRIUS, XM and all related marks and logos are trademarks of SIRIUS XM Radio Inc. and its subsidiaries. Major League Baseball trademarks and copyrights are used with permission of Major League Baseball Properties, Inc. Visit MLB.com. Games subject to availability and change and may not include all 2010 Spring Training games. All rights reserved. All other marks, channel names and logos are the property of their respective owners. All rights reserved. "Made for iPod" means that an electronic accessory has been designed to connect specifically to iPod and has been certified by the developer to meet Apple performance standards. "Works with iPhone" means that an electronic accessory has been designed to connect specifically to iPhone and has been certified by the developer to meet Apple performance standards. Apple is not responsible for the operation of this device or its compliance with safety and regulatory standards. Apple, iPod, iPod touch and iTunes are trademarks of Apple Inc., registered in the U.S. and other countries. iPhone is a trademark of Apple Inc. iTunes is for legal or rightholder-authorized copying only. Don't steal music.

XM SkyDock Quick Start Guide (XMSkyDockQSG0709)